

Stock Code: **23765LEDDL-RIC**

Collection: SoHo

**PRODUCT INFORMATION**

Base: 23765 Parent: 23765LEDDL  
Mounting Type: Ceiling UPC: 641594244953  
Finish: Rice  
Diffuser: N/A

**PRODUCT MEASUREMENTS**

<b>FIXTURE</b>	<b>BACKPLATE / CANOPY</b>
Length:	Length
Width:	Width:
Diameter 18.75"	Diameter:
Height: 7.5"	Height: 0.5"
Extension:	
Overall Height: 9-130.5"	

**TECHNICAL SPECIFICATIONS**

**SPECIFICATIONS**

Frame Material: Metal	
Diffuser Material: N/A	
Lamping Type: E-26 (Incandescent)	Jbox: Standard
Lamping Base: E-26	Lamp Wattage: 10 W
Lamp Quantity: 3	Total Wattage: 30 W
Voltage: 120v	Lamps Included: Yes

**QUALIFICATIONS**

Location Rating Dry	
Certification: ETL (US/Canada) Listed	
ADA Compliant No	Energy Star: No
JA8 Compliant: No	Emergency Lighting: No
Marine Grade: No	Warranty: 1 Year

**PHOTOMETRICS**

Dimmable: Yes	Nominal Lumens 2400 Lm
CRI: 90	Delivered Lumens: N/A
CCT: 3000K	
Recommended Dimmers:	
(ELV)LUTRON Maestro CL (Package) MACL-153M-RHW;	
(TRIAC)LEVITON Decora Sureslide 6672; (TRIAC)LEVITON	
Decora Sureslide 6674; (TRIAC)LUTRON Skylark CL SCL-153	
or SCL-153P; (ELV)LUTRON Skylark Contour CTCL-153P;	
(TRIAC)LEVITON Surslide 6631; (TRIAC)LEVITON T	

**Additional Notes:**

10 feet of cable and cord included

Project Name: \_\_\_\_\_

Location: \_\_\_\_\_

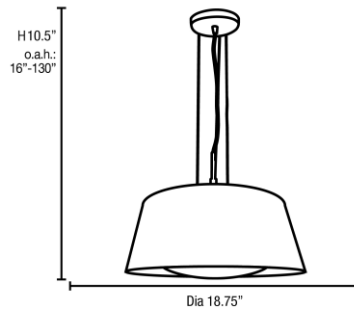
Type: \_\_\_\_\_

Quantity: \_\_\_\_\_

Notes: \_\_\_\_\_



**LINE DRAWING**



**IES FILE**

In addition to Access Lighting's purchase and warranty terms and conditions, by signing below or placing an order, you agree that you are authorized to bind the entity placing any order and acknowledge the following: All of sizes and measurements are approximate and all images are for illustrative purposes only. In the event of an inconsistency, the "Product Measurements" section controls. There also may be slight differences in the colors and designs compared to the displayed and printed images.

Signature: \_\_\_\_\_

Print Name \_\_\_\_\_ Date: \_\_\_\_\_

**Toll Free 800-828-5483 www.AccessLighting.com**

14410 Myford Road, Irvine, CA 92606

